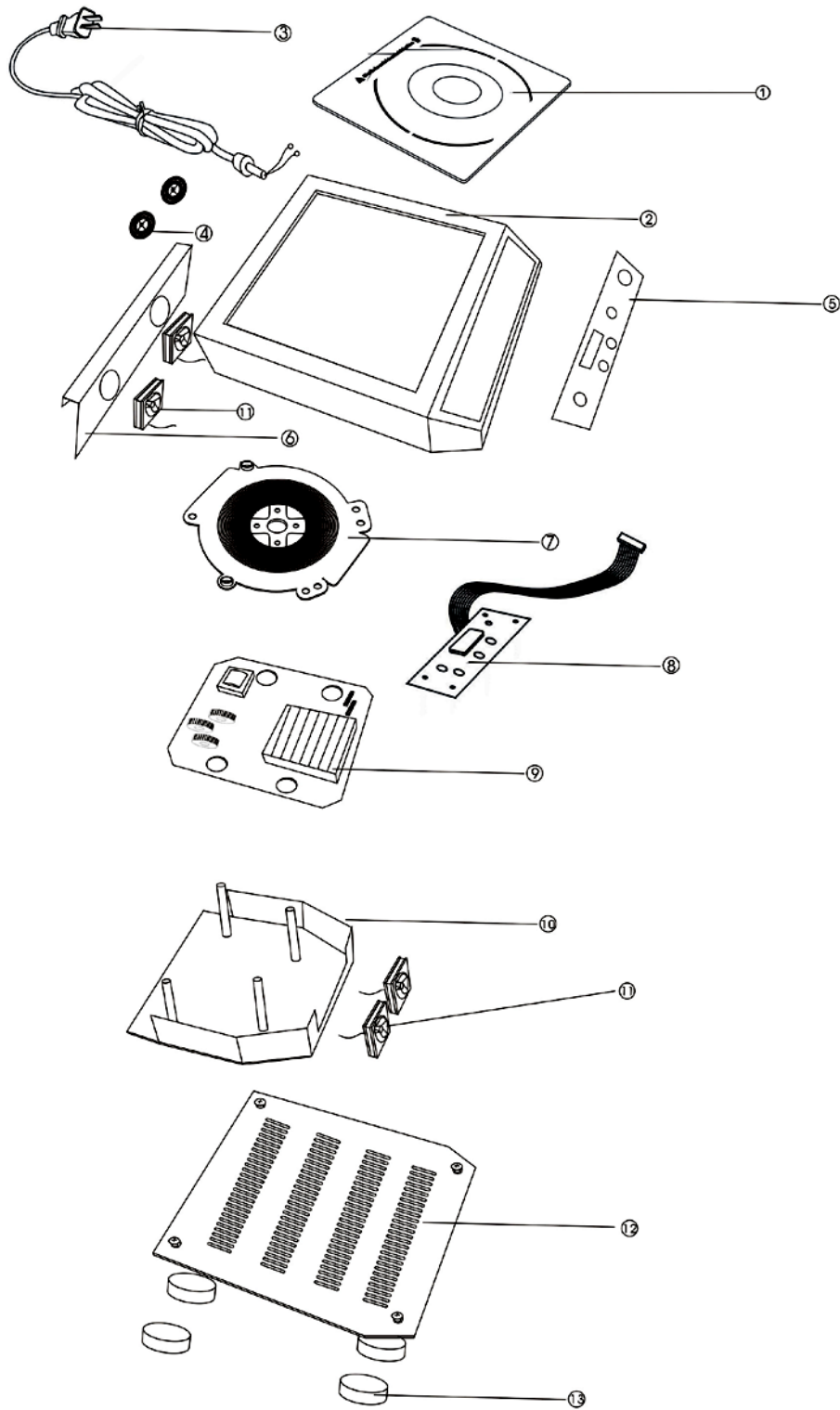


Explosive Drawing: 3500W



3500W	
Part No.	Description
1	Ceramic Glass
2	Top Cover
3	Power Cord
4	Fan Cover
5	Label
6	Back Cover
7	Induction Coil
8	Control Panel PCB
9	PCB
10	Plastic Platform
11	Turbo Fan
12	Aluminum Bottom Plate
13	Aluminum Feet